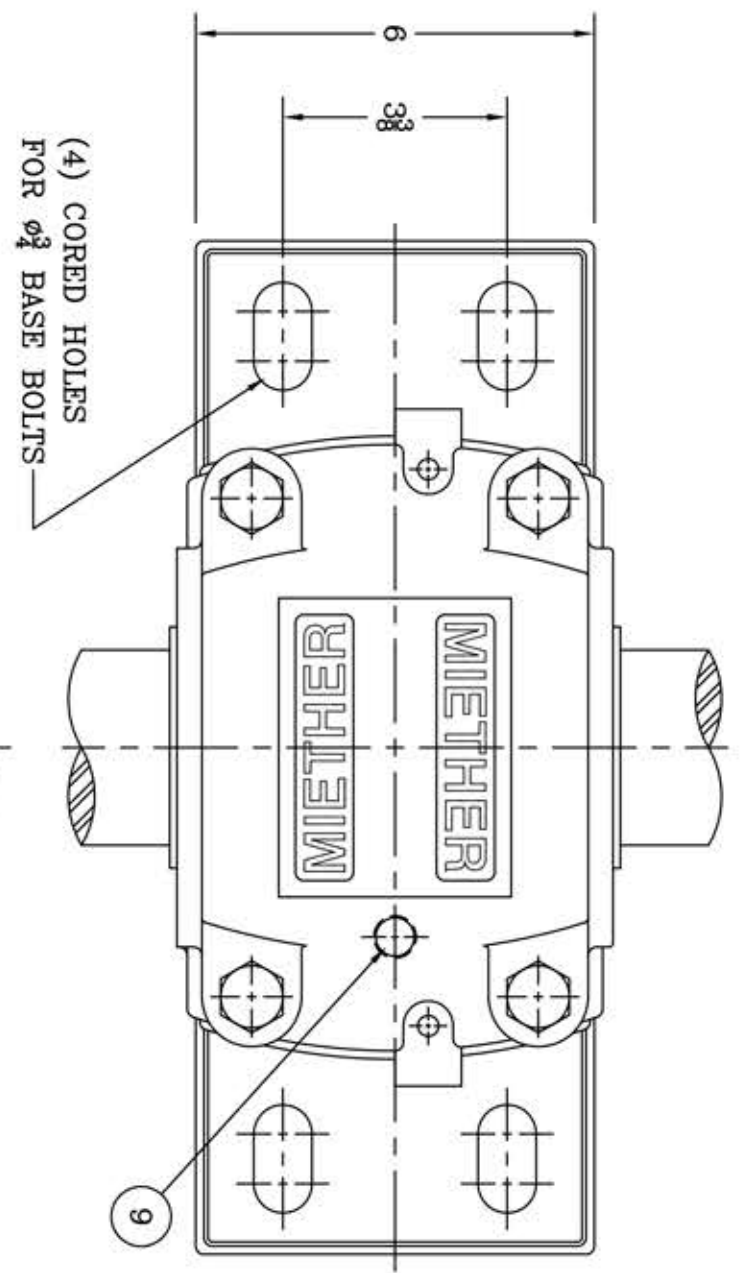
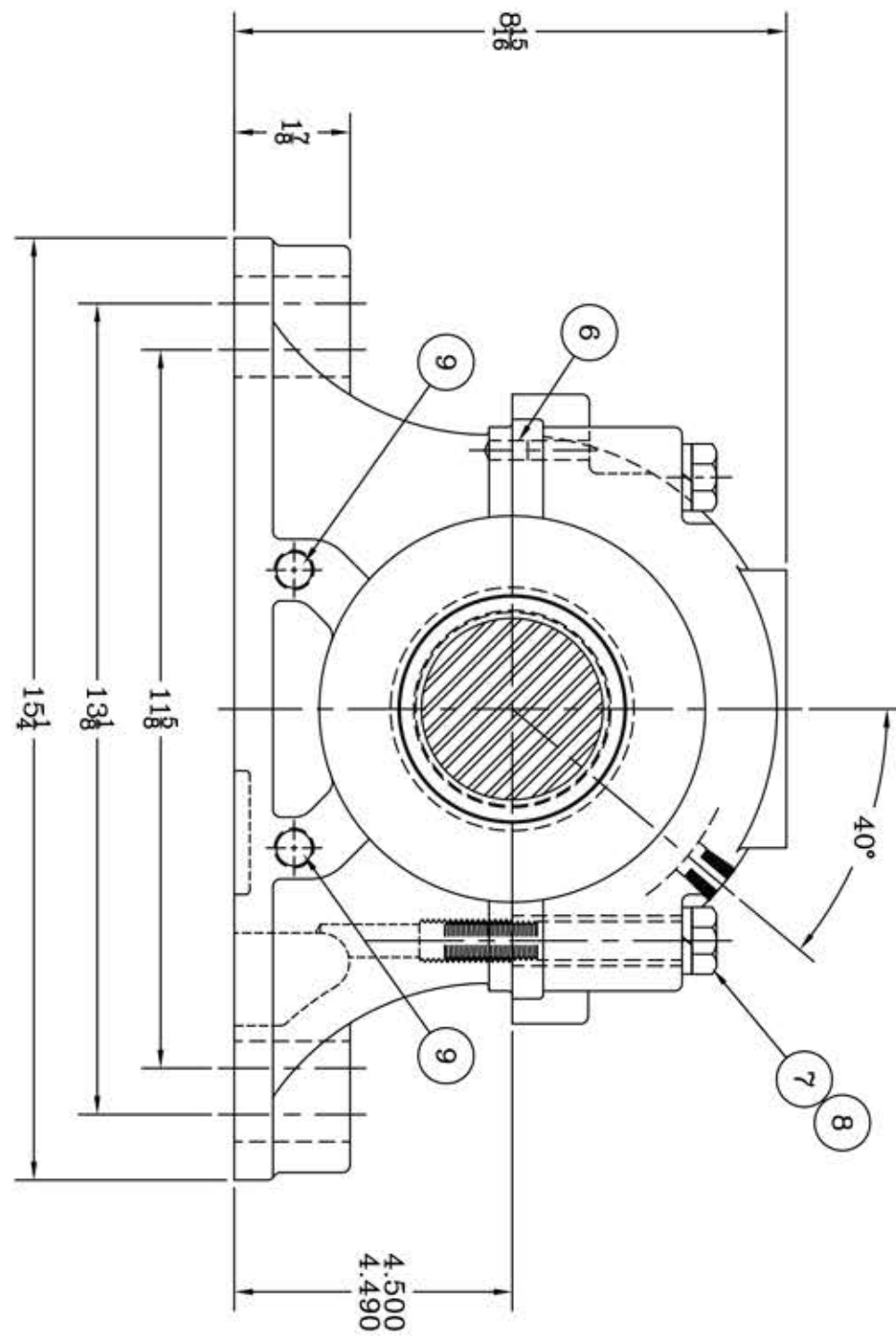


This drawing is the sole property of Miether Bearing Products and contains confidential and proprietary information. It is being provided to you for your use and may not be disclosed to any third party or used for any other purpose without Miether's prior written consent. The [materials] must be returned to the Company upon its demand. Your acceptance of these materials constitutes your acceptance of the foregoing terms.

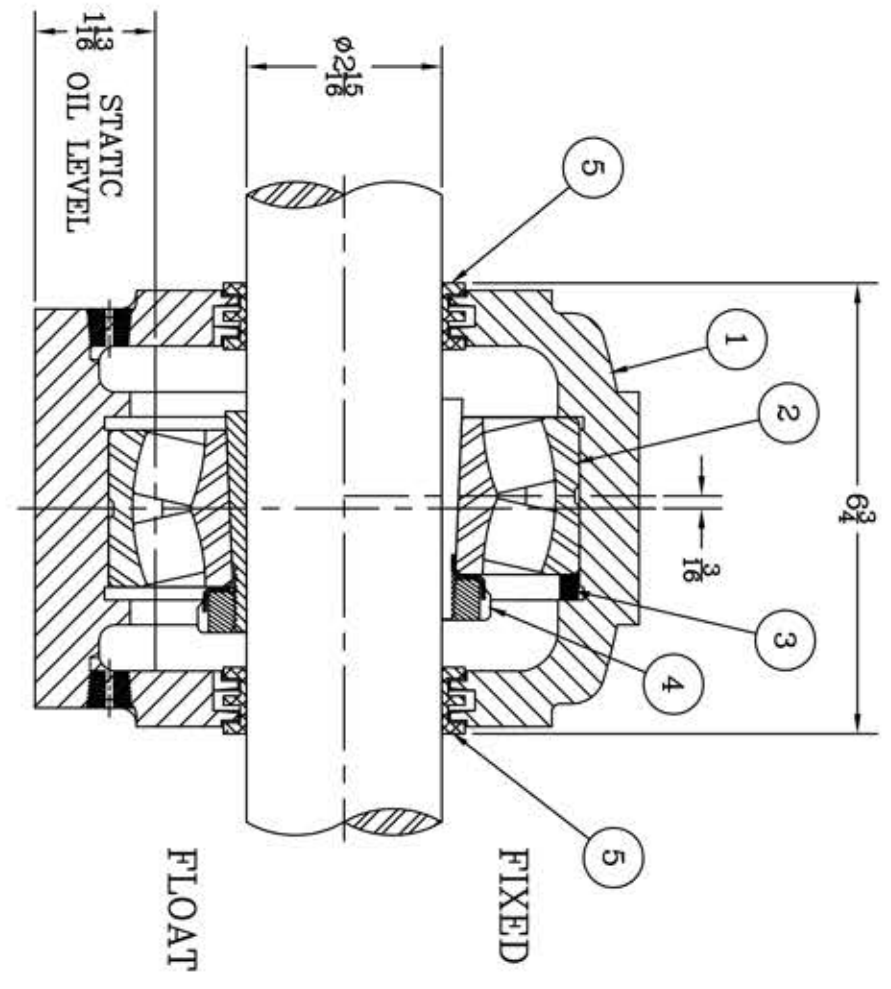
C-14618



(4) CORED HOLES
FOR $\phi \frac{3}{8}$ BASE BOLTS



ITEM	DESCRIPTION	DETAIL	REQUIRED
1	HOUSING SDAF 617 02-15	C-12753	1 1
2	SPHERICAL ROLLER BEARING	22317K/-33	1 1
3	STABILIZING RING SR-20-17	A-10602	1 0
4	ADAPTER SNW-17 02-15	24410	1 1
5	TRIPLE SEAL RING LER-184	A-11924	2 2
6	DOWEL	$\phi \frac{5}{16}$ x $\frac{3}{8}$ LONG	2 2
7	CAP BOLT HEX. HEAD	$\frac{3}{8}$ -11 NC x 4" LONG	4 4
8	LOCKWASHER	$\frac{3}{8}$ SPLIT MED.	4 4
9	PIPE PLUG	$\frac{3}{8}$ -18-NPT	5 5



REDRAWN ON
COMPUTER
RWB per KAB
7-29-04

REVISIONS

SYMBOL	MICRO-INCH VALUE	DESCRIPTION
✓	16	
∇	32	
∇	63	
∇	125	
∇	250	
∇	500	
∇	1000	

TOLERANCE: UNLESS OTHERWISE SPECIFIED
 FRACTIONS $\pm 1/32$ "
 DECIMALS $\pm .005$ "
 CASTING $\pm 1/16$ "
 ANGLES $\pm 0^{\circ} 30'$
 WELD $\pm 1/16$ "
 A.I.S.I. STANDARD FINISHES

AN ALCO INDUSTRIES COMPANY
 BEARING PRODUCTS
 ODESSA, TX. USA

SDAF 22617 02-15
 ASSEMBLY DRAWING

SCALE HALF
 DRAWN CJ
 DATE 3/7/72
 CHK:

ASSEMBLY NO.
 DRAWING NO.
 C-14618